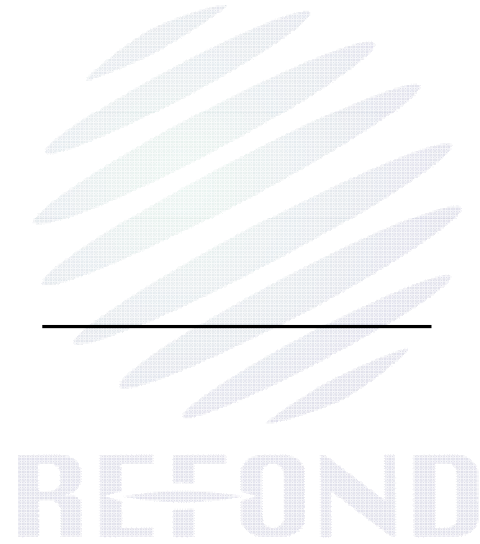


SPECIFICATION





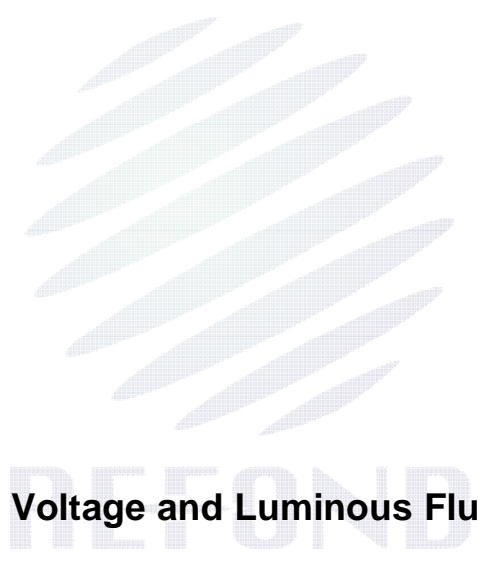
1. Description

1.1



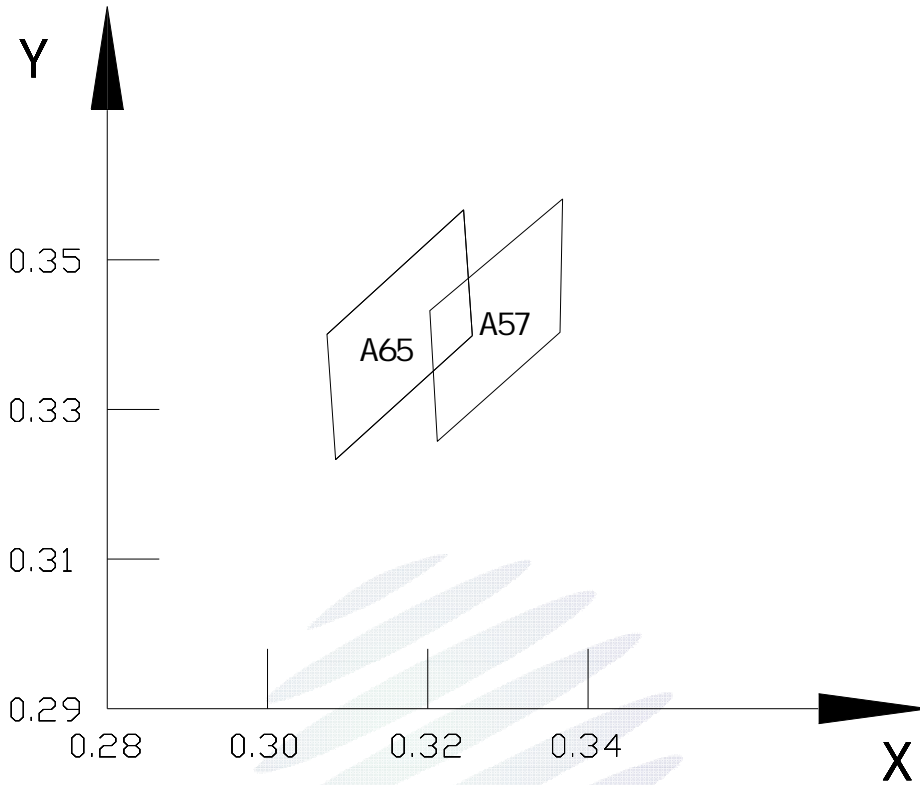
1.5 Product Parameters

REFOND



1.6 Bin Range Of Forward Voltage and Luminous Flux (IF=100mA)
BIN (IF=100mA)

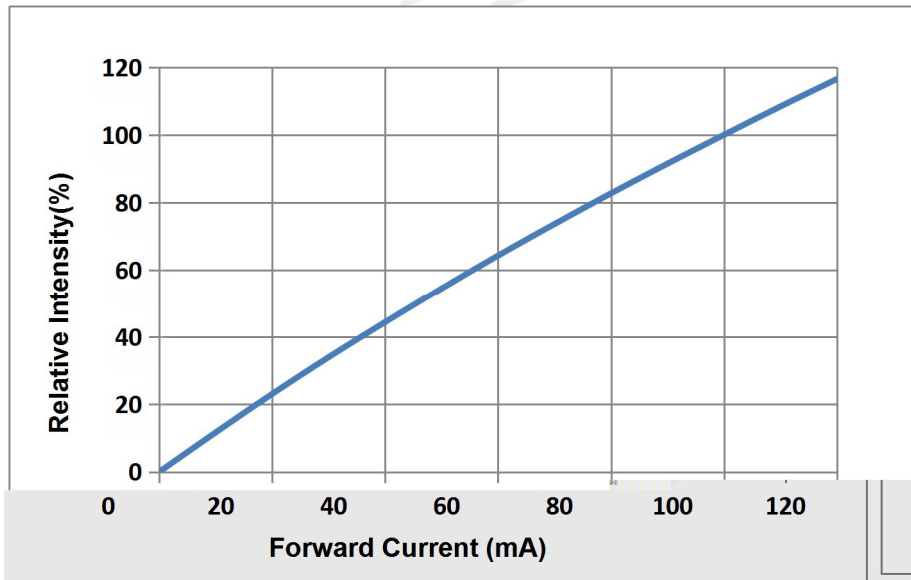
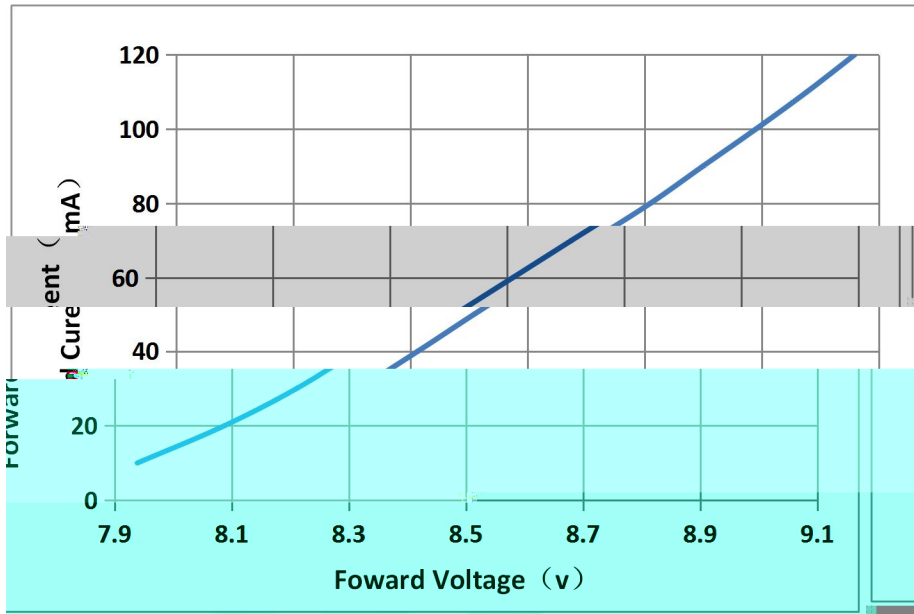
ϕ			

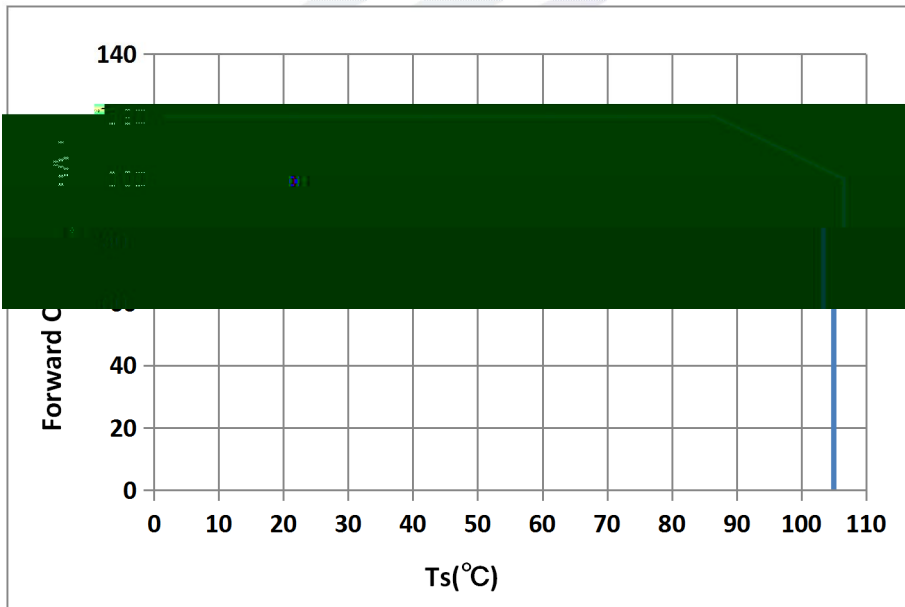
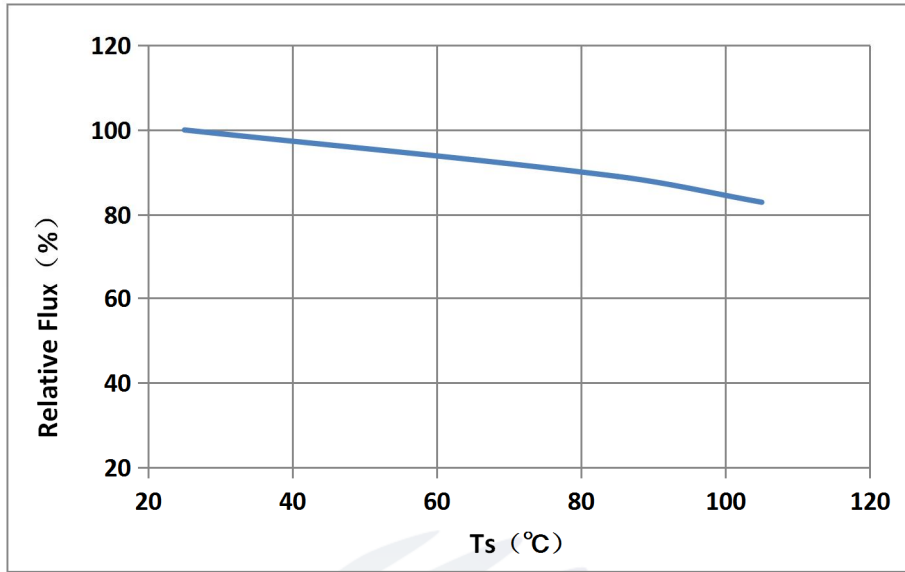


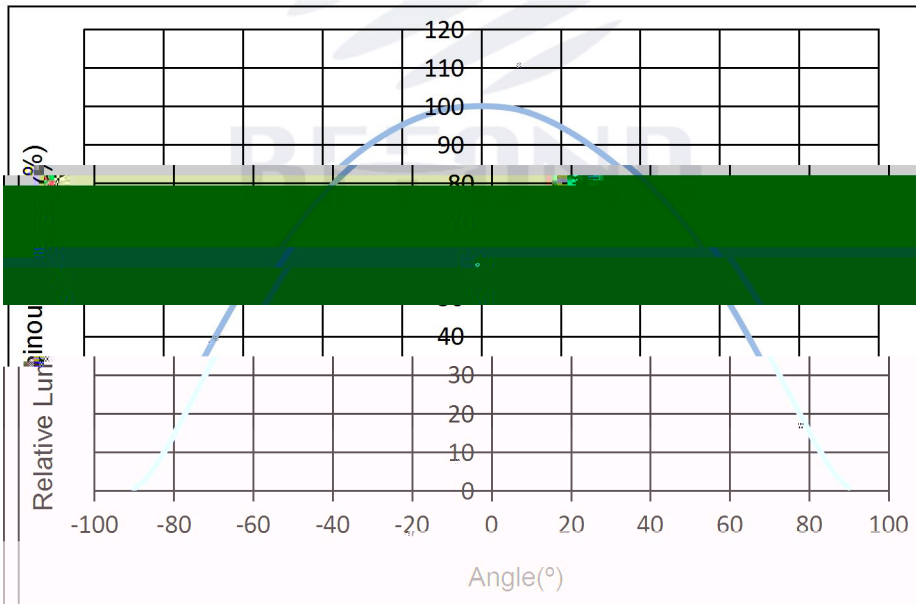
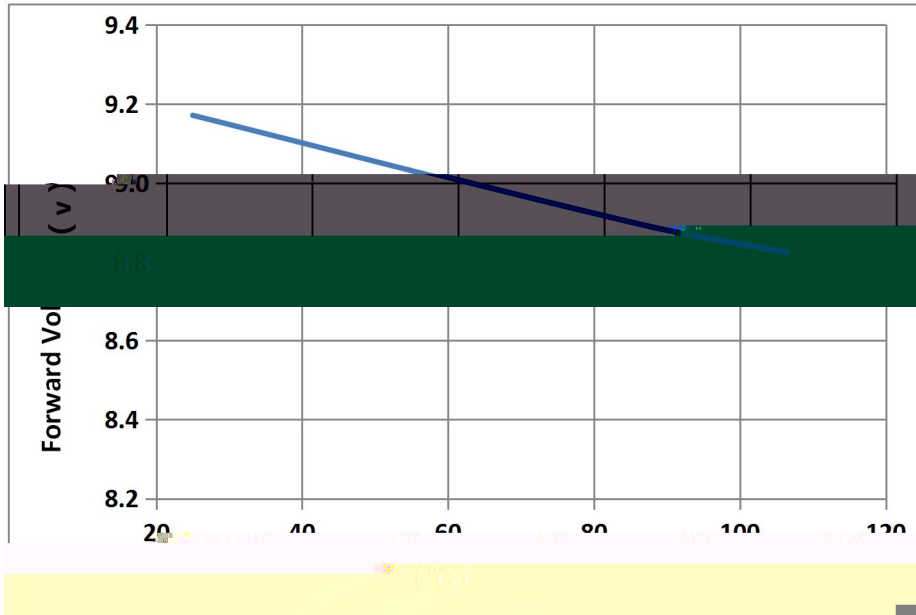
6-step

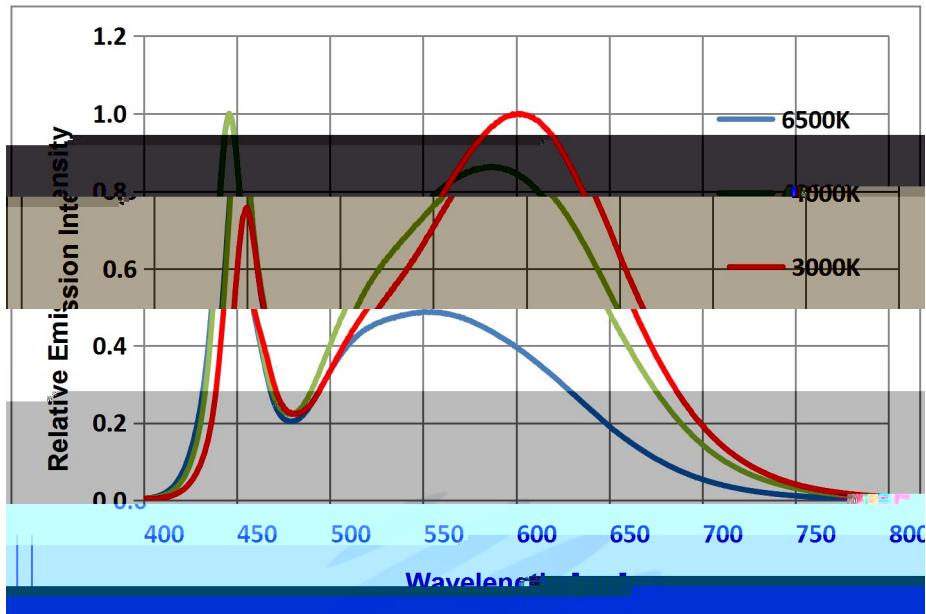
BIN CODE	X1	Y1	X2	Y2	X3	Y3	X4	Y4

1.7 Typical optical characteristics curves





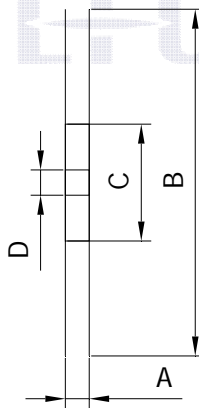
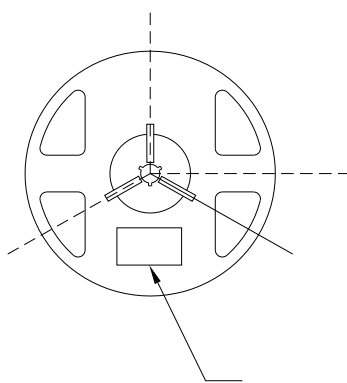
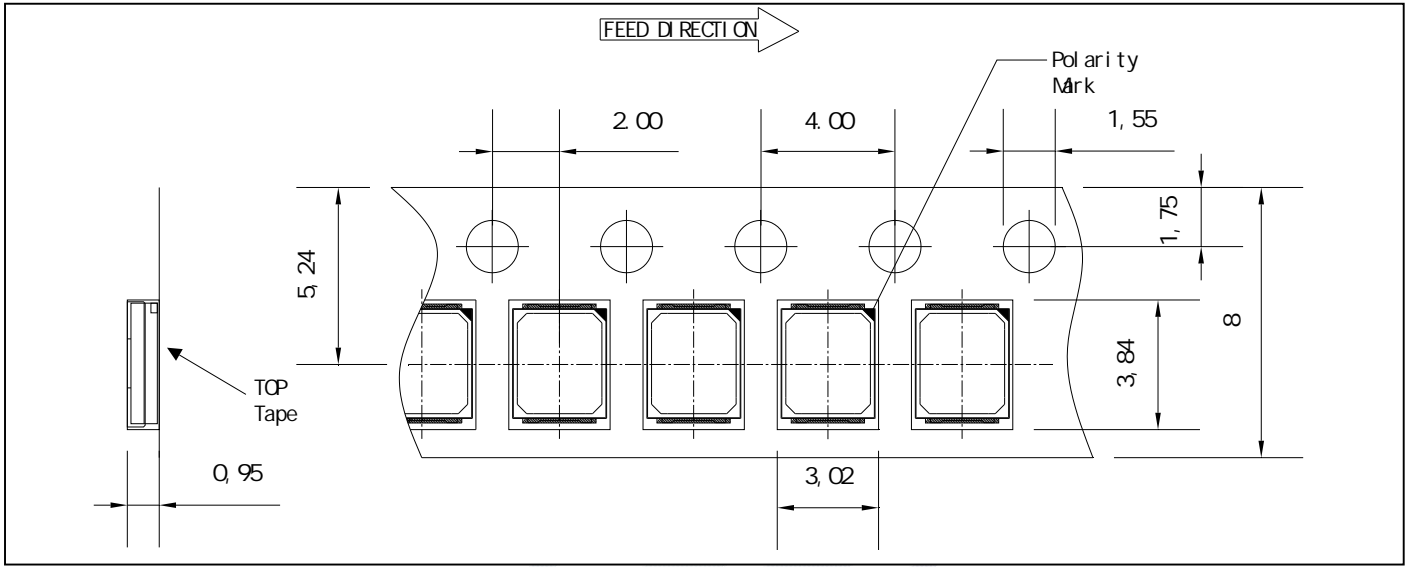




REFOND

2. Packaging

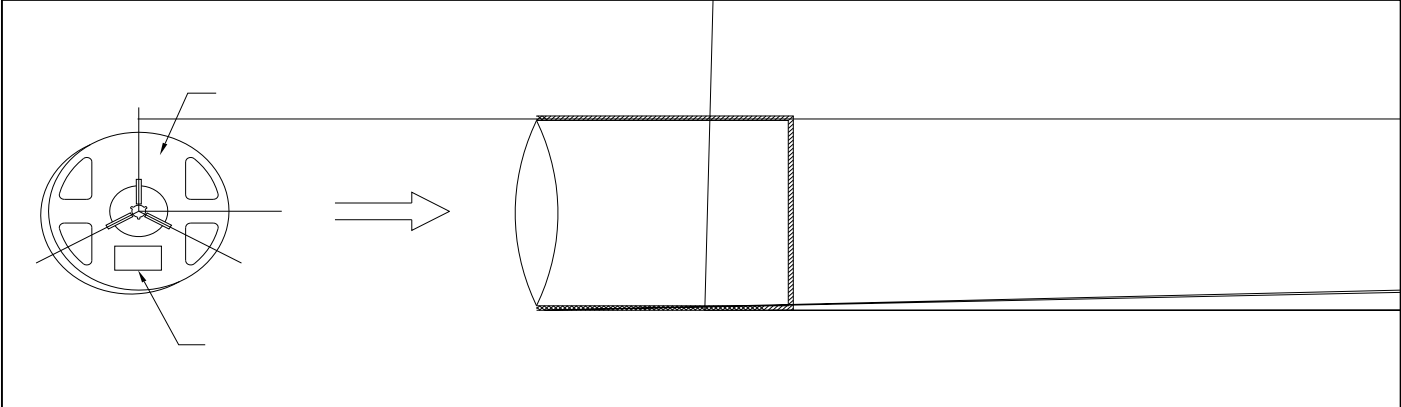
2.1 Packaging Specification



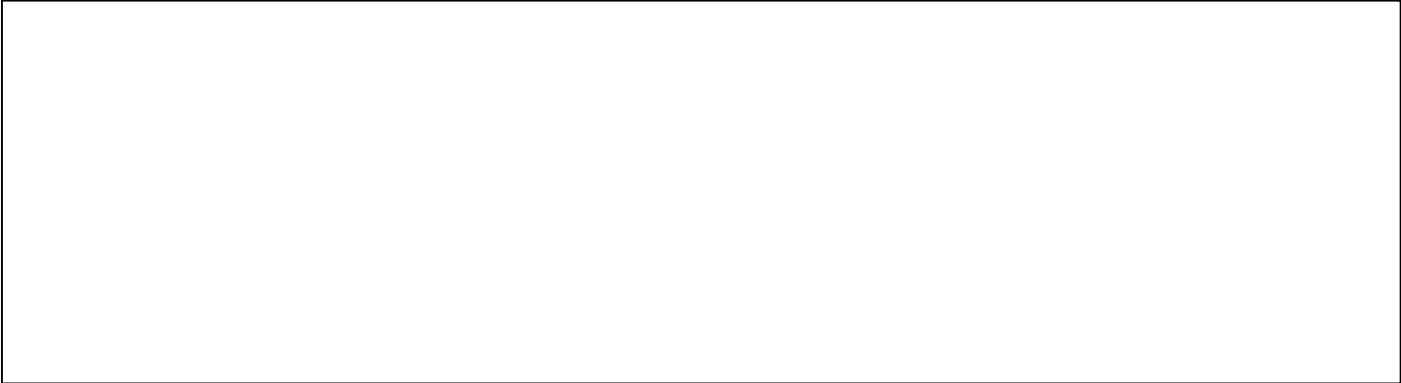
PART NO:
 SPEC NO:
 LOT NO



2.2 Moisture Resistant Packing



2.3 Cardboard Box



2.4 Reliability Test Items And Conditions

2.5 Criteria For Judging Damage





(1)

board

4. Handling Precautions

4.1 Handling Precautions





2))2ZKJ ~ #

S U

REFOND

