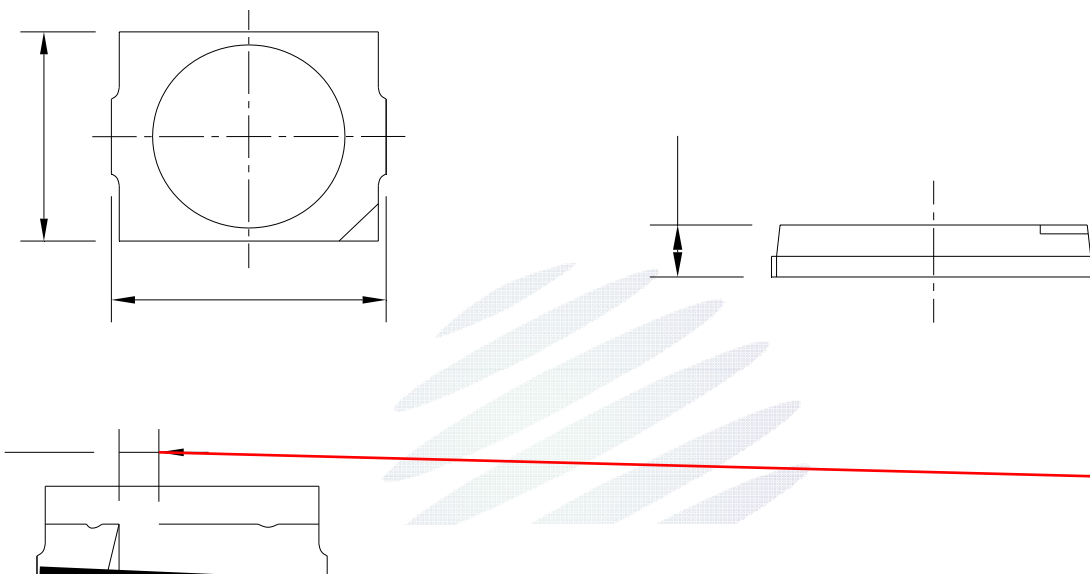


### 1.4 Product Selection Table


### 1.5 Package Dimension



RE-FUND