

SPECIFICATION

R&D



..... 3

..... 3

..... 3

..... 3

..... 4

..... 4

..... 6

..... 10

..... 11

..... 11

..... 11

..... 12

..... 12

..... 12

..... 13

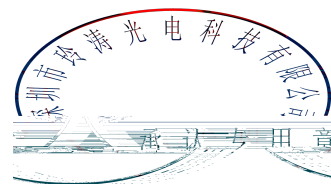
..... 14

..... 15

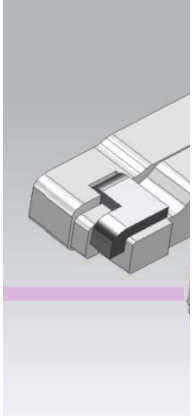
..... 15

..... 17

..... 17



1.1 General Descriptio

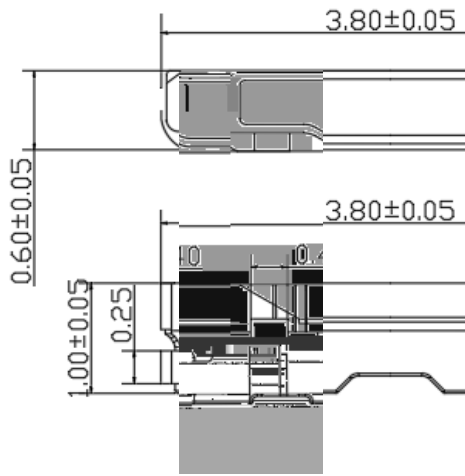


3. 80mm
LED,

1.2 Features

1.3 Applica

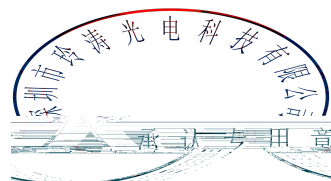
1.4 Package Dimension



- 1.
- 2.

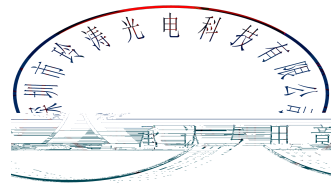
1.5 Product Parameters

Intensity

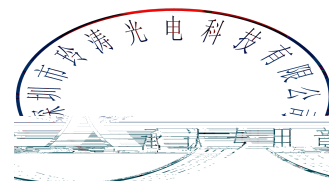
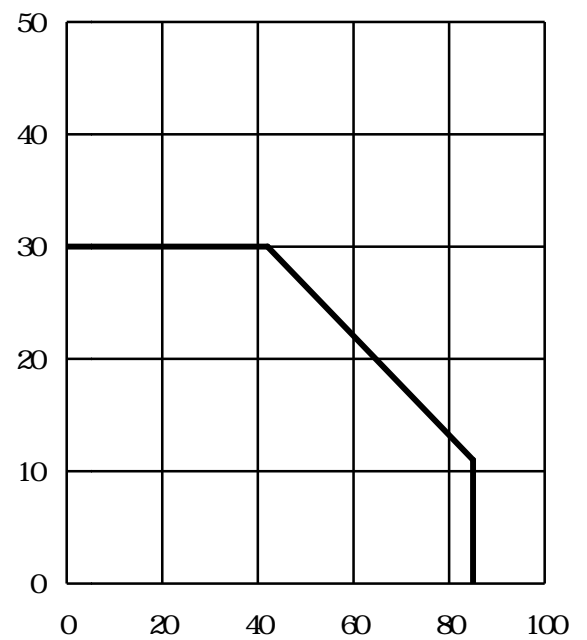
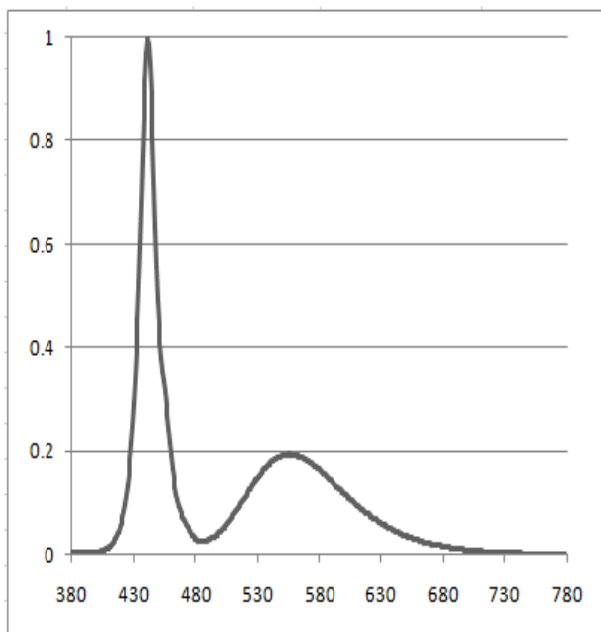
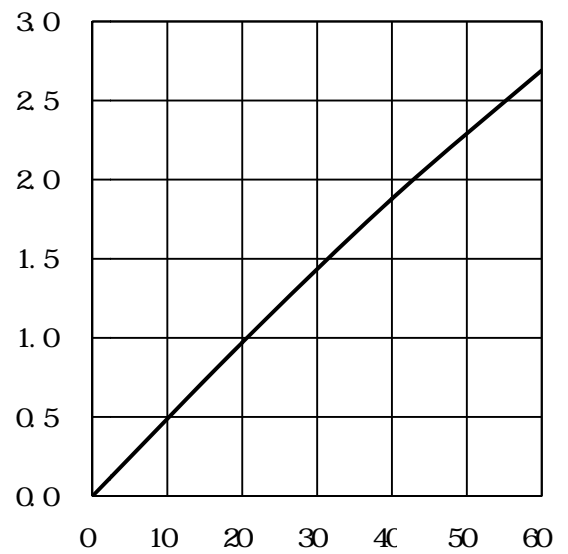
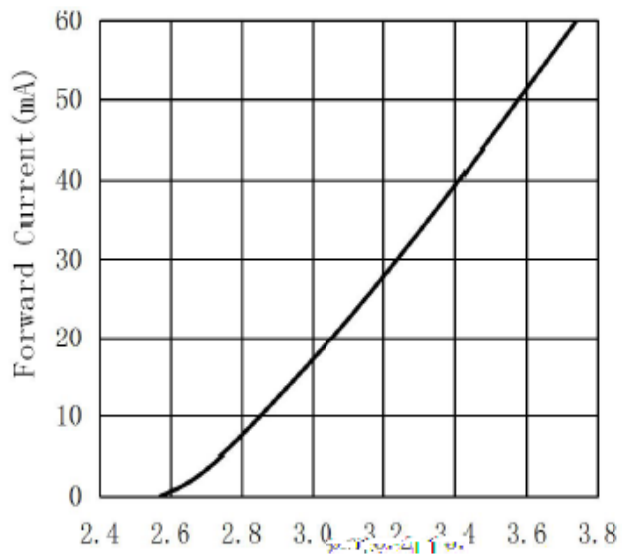


±

± 0.003

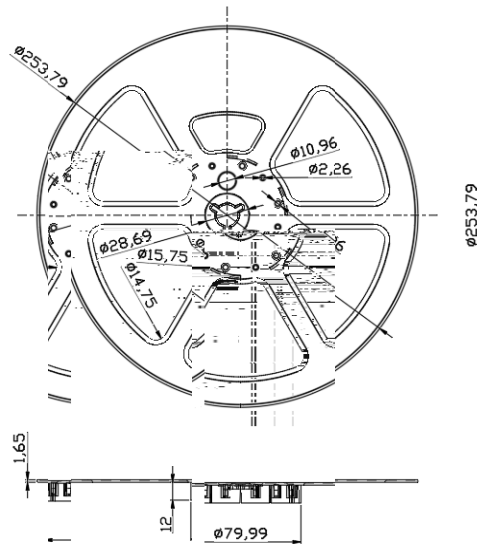
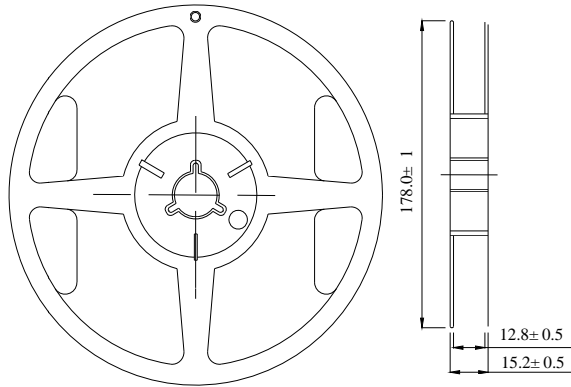


1.7 Typical Optical Characteristics Curves



2. Packaging

2.1 Packaging Specification



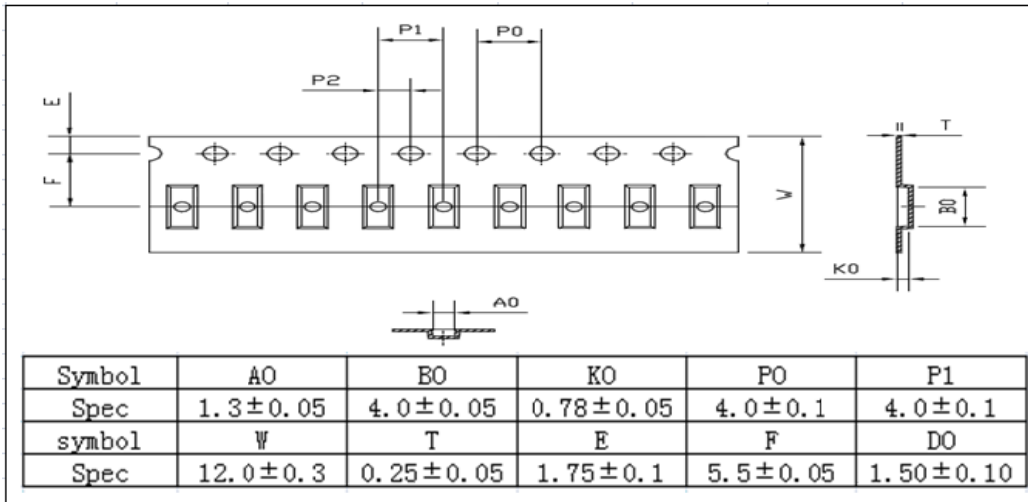


Fig.2-1 Carrier Tape Dimension

± 2.0



2.2 Moisture Resistant Packing

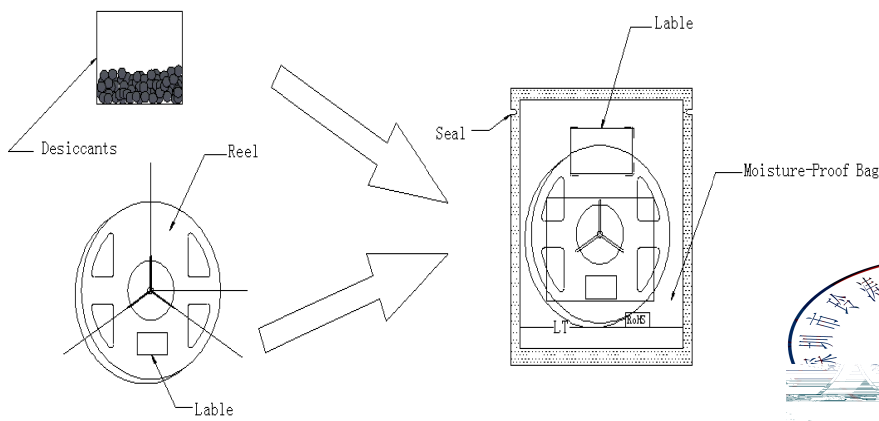
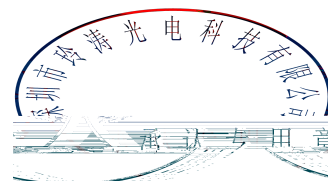


Fig.2-4 Moisture Resistant Packing



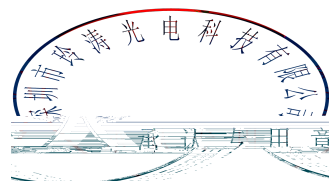
2.3 Cardboard Box

2.4 Reliability Test

2.5 Criteria For Judging Damage

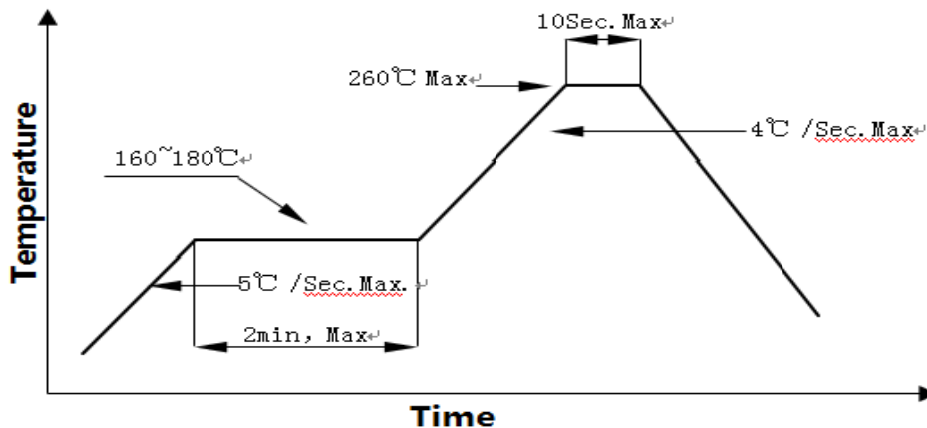
LED

/ LED



3. SMT Reflow Soldering Instructions SMT

3.1 SMT Reflow Soldering Instructions



24 LED

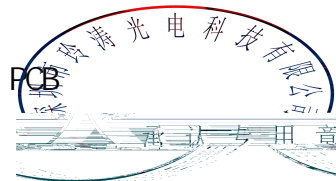
300

3

LED

(1)

LED



4.1 Handling Preca

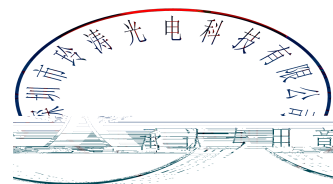
LED

LED

LED

LED

LED



		±	

60± 5

24

LI
